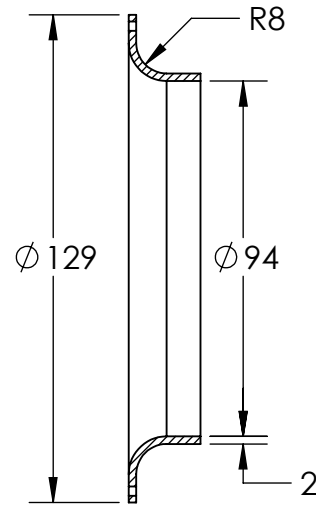
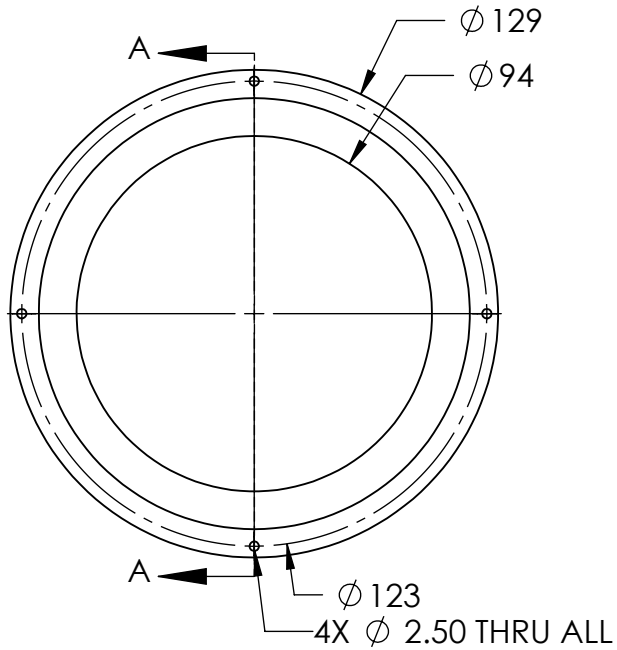
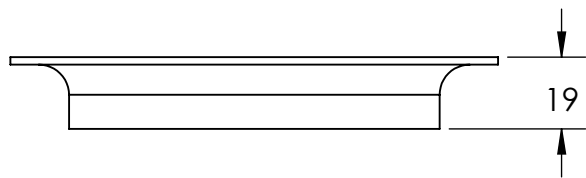
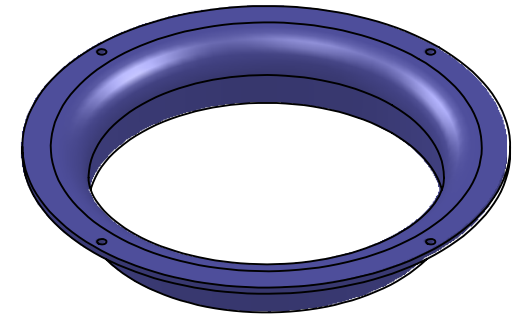



1 2 3 4 5 6 7 8

REVISIONS			
REV.	DESCRIPTIONS	EDIT BY	DATE:(d/m/y)
01	DIFFUSER	WAN HAIKAL	26/2/2019
-	-	-	DD/MM/YYYY



SECTION A-A



	DESIGN BY	WAN HAIKAL	UNIT:	PRODUCT SERIES: DFLTZZO SERIES - OPTO ENG.	
	CHECK BY	WAN HAIKAL	MM		
	DATE	26/2/2019	REVISION:	TITLE	DIFFUSER
	MATERIAL	-	01	PART NO	DFLTZZO130-75-3
	FINISHING	-	SCALE:	DWG NO	-
QTY	-	1:2	SHEET 1 OF 1		

1 2 3 4 5 6 7 8